

SANDWICH ASSEMBLY CONVEYOR

CUSTOM-FIT TO YOUR PRODUCTION –
WIDTH, SPEED, CONFIGURATION AND MORE



The Sandwich Assembly Conveyor transports your sandwich product across your assembly line. Belt height is adjustable to accommodate automated or manual processes. Central pneumatic and electrical outlets run along length of conveyor for direct connection to online equipment. Mounting rails on either side of the belt create ideal product placement locations, using our optional tray racks and tables.

The optional Clean in Place (CIP) system continuously washes and dries the belt during operation – ensuring food safety of your sandwich products. It is easily removed for sanitation.

- Available in 4, 6 and 8 m standard lengths (others available upon request)
- Accommodates automated and manual sandwich assembly production
- Variable speed controls adjust to your production output rate
- Fully adjustable belting for tracking correction and slacking for easy sanitation
- Tool-less tray racks and tables are available to position anywhere on the conveyor – alongside operator work stations or cantilevered over the belt
- Optional Clean in Place (CIP) system continuously washes and dries the belt during operation – ensuring food safety

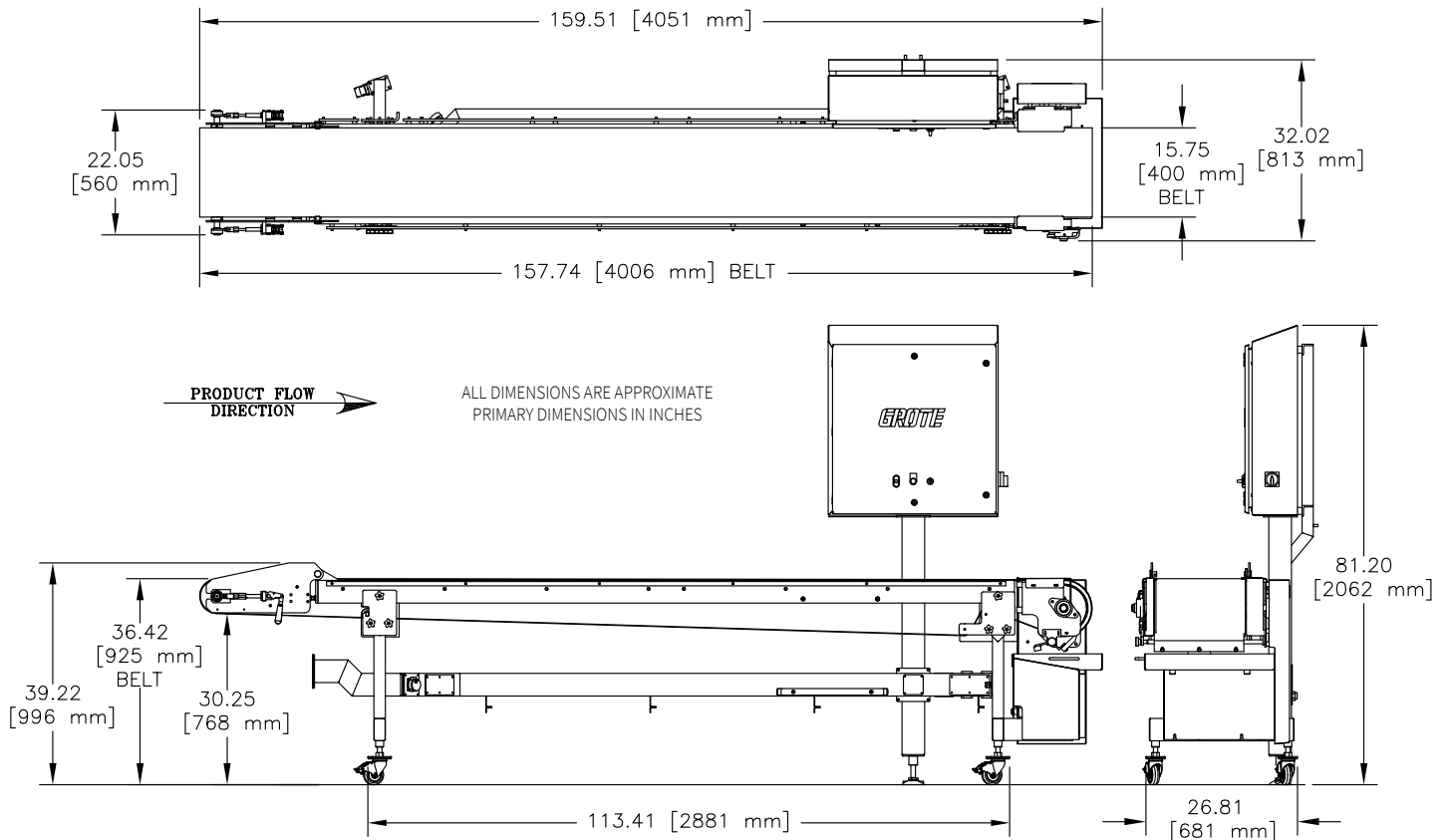
COMMON FOOD APPLICATIONS



Sandwiches



SANDWICH ASSEMBLY CONVEYOR



This drawing contains confidential information is the exclusive property of the J.E. Grote Co. Neither this document, nor its contents, are to be used, reproduced or disclosed in whole or in part without the express written permission of the J.E. Grote Co. Copyright 2017, J.E. Grote Company, Inc.

SPECIFICATIONS

Belt Length: 4 m, 6m or 8m standard, others on request

Belt Width: 400 or 600 mm standard

Electrical: 200-575 VAC, 50/60 Hz, 3 Phase

FEATURES/PARTS

- Simple belt tensioning release
- Lift-up idle side support
- Removable solids collector bin and drum scraper

OPTIONS

- Clean in Place System
- Ingredient/Product Racks and Tables
- Remote Electrical Enclosures

E 10.17v4

CONTACT US

Grote Company is proud to provide top quality equipment, exceptional service and peace of mind worldwide. Contact us for more information or to schedule a demo of the Sandwich Assembly Conveyor with your product in your exact operating conditions in our Demo Facility.



To feed our growing world - Together

sales@grotecompany.com
grotecompany.com