

SECTORING SLICER



Model SS-4

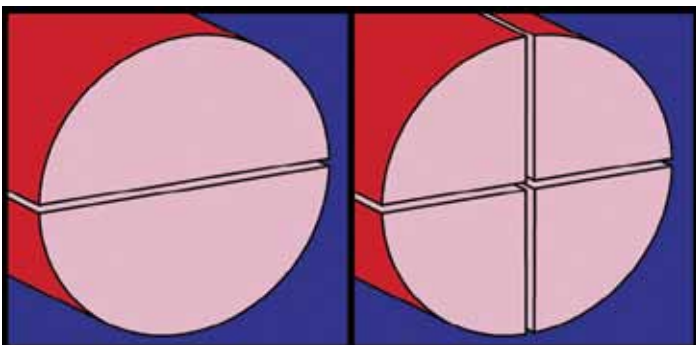
Cuts product logs lengthwise into halves and quarters.

Models

Grote's Sectoring Slicer is available in the following models:

SS-2: cuts product logs into halves

SS-4: cuts product logs into quarters



Grote's Sectoring Slicer cuts product logs lengthwise into halves and quarters to turn a single log into multiple pieces. By sectoring product logs, folding, trimming, and overhang of product are prevented. This machine is ideal for quartering pepperoni for French bread pizzas.

Logs from 1" to 5" in diameter can be accommodated, to cut logs as narrow as pepperoni and as wide as bologna. Up to 500 logs per hour can be sectored. Most boneless, non-frozen product logs can be cut. If desired, "butterfly sectors" can be created by slicing all but the cores of the product log for easy storage and tear-apart.

Grote's Sectoring Slicer is easy to operate. The operator simply loads a product log into the feeder, and the slicer does the rest. The feeder slides the log into the blade automatically, with no manual pushing required. In about two seconds, the log glides out the discharge side, neatly sectored.

Razor-sharp, stainless steel blades cut cleanly and consistently through virtually any boneless product log, so no product is lost in slicing. In addition, entry and exit guides center product logs evenly on the blades for accurate portion control.

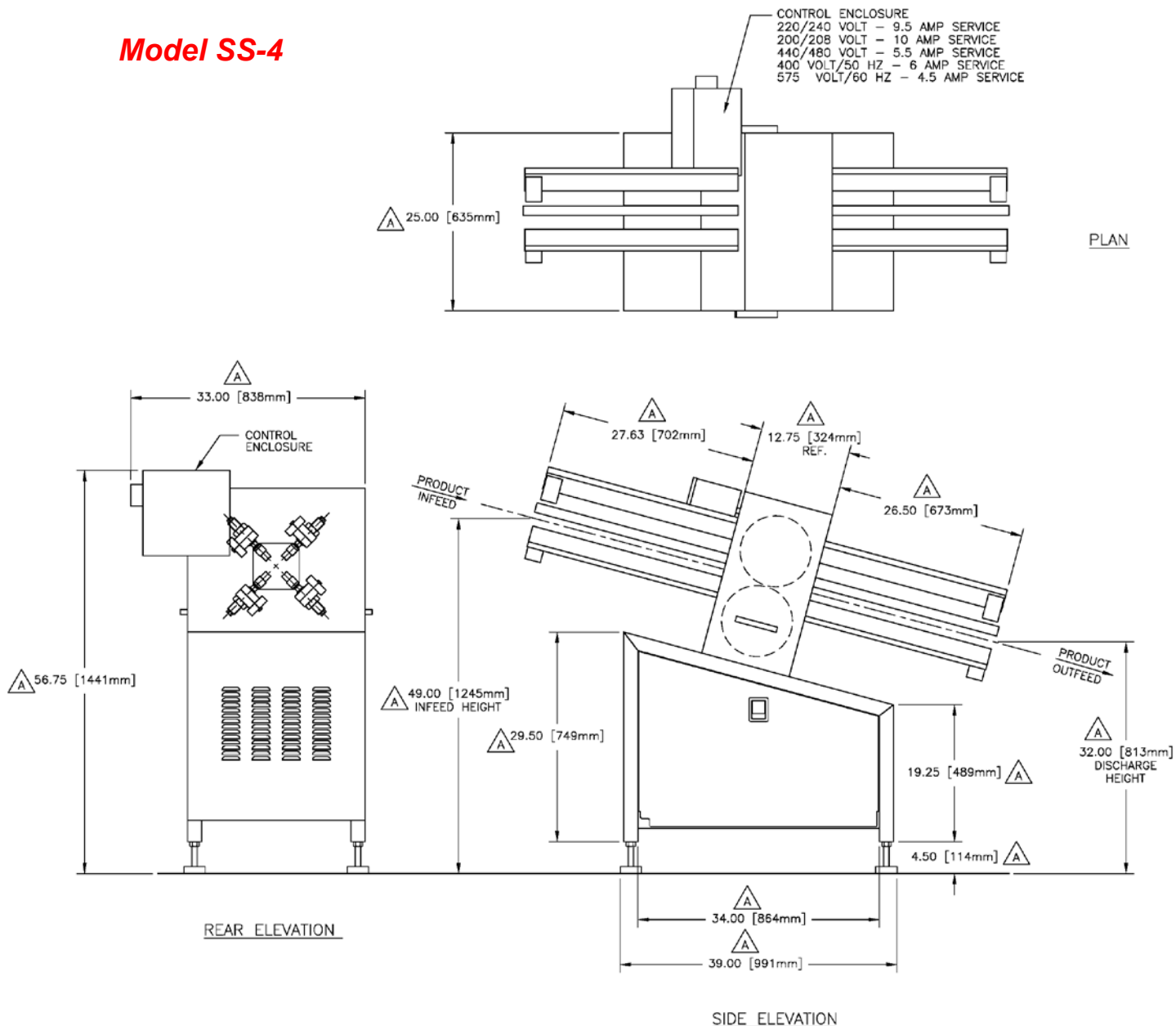
If desired, sectored logs can be further processed by using a Grote Slicer/Applicator machine. The Slicer/Applicator slices the sectored logs and deposits the slices directly onto a target, such as a pizza crust or tray.



Count on Grote for *all* your slicing needs!

Dimensional Drawings

Model SS-4



12.09

Features

- Cuts up to 500 logs per hour
- Self-contained hydraulic power unit
- Accomodates logs from 1" to 5" in diameter
- Capable of creating "butterfly sectors"
- Speed control
- Hand operated hydraulic on/off valve
- Electrical control enclosure with on/off switches
- Safety proximity switches on guard
- Leveling feet standard (castors optional)
- Electrical: 200 to 575 VAC, 3 phase, 50/60 Hz

Corporate Office

1160 Gahanna Parkway
 Columbus, OH 43230
 United States of America
 Tel.: 614-868-8414
 Fax: 614-863-1647

E-mail: sales@grotecompany.com



Precision slicing & application systems

www.grotecompany.com

European Sales & Service

Wrexham Technology Park
 Wrexham, North Wales LL137YP
 United Kingdom

Tel.: 44 (0) 1978-362243
 Fax: 44 (0) 1978-362255

E-mail: sales@intl.grotecompany.com