

VEGETABLE & FRUIT SLICER

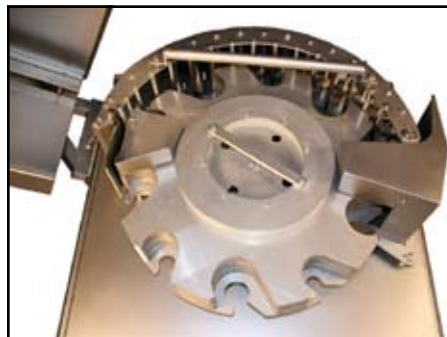


Series 600

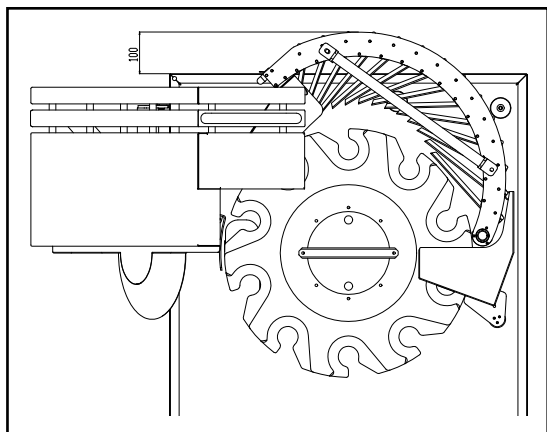
Ideal for slicing tomatoes, onions, lemons, oranges, bell peppers, and similar products.

Grote's Vegetable & Fruit Slicer is designed to cut fresh produce into accurate slices and retain those slices together through the cutting process. The result is sliced produce with a perfect cross section, a greater slicing yield, and excellent handling properties.

The slicer is easy to operate and ruggedly built in stainless steel and other food-approved materials. Changeover from one product to another is simple, and all contact parts are easily removed for cleaning. The Vegetable & Fruit Slicer is a free standing unit with integral drive and control. It is fully mobile and can be easily moved to different production areas within a processing facility. A drip channel surrounds the perimeter of the table top and catches all product juices, which can be fed into a drain or collection system.

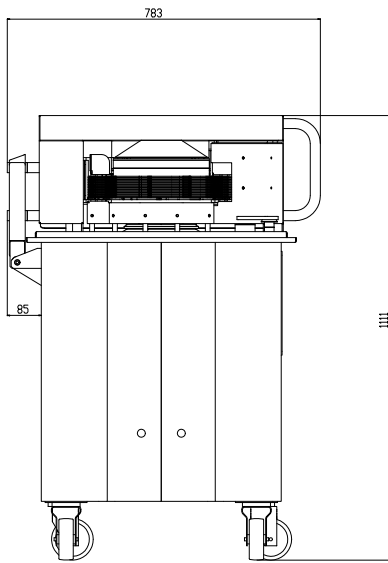


Products are manually loaded and unloaded into the pocketed carousel, which carries the produce through a fan of stationary blades. The Vegetable & Fruit Slicer is available in two sizes (see back page), and capable of slicing produce up to 100 mm in diameter. Slicing thickness ranges from 4.5mm to 7mm.

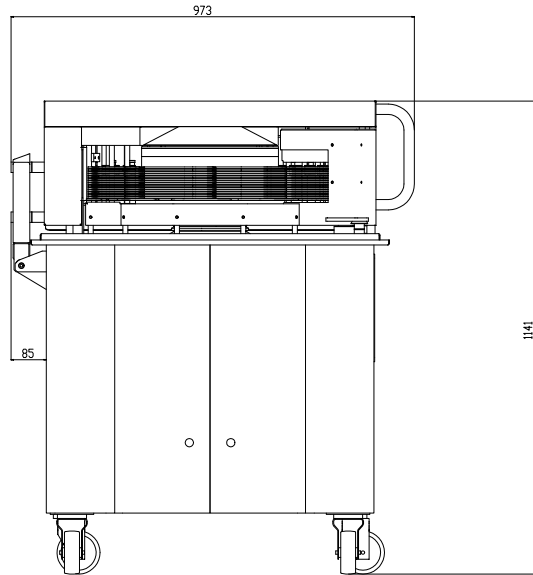


Count on Grote for *all* your slicing needs!

Dimensional Drawings



SERIES 370 FRONT VIEW



SERIES 600 FRONT VIEW

Features

- Free standing unit with castors for maximum mobility
- Fully interlocked guarding
- 460 VAC/3 phase/60 Hz
- Nominal Rate: 30/min. *(Higher speeds possible - consult factory)*
- Electrical protection to IP65 rating standards
- Pneumatic requirements – none
- All contact parts are easily removed for daily cleaning

Series 370			
<i>Product Dimension</i>	<i>Minimum</i>	<i>Maximum</i>	<i>Remarks</i>
Diameter	-	60mm	
Height	-	60mm	
Slice Thickness	4.5mm	7mm	1mm increments

Series 600			
<i>Product Dimension</i>	<i>Minimum</i>	<i>Maximum</i>	<i>Remarks</i>
Diameter	60mm	100mm	
Height	-	100mm	
Slice Thickness	4.5mm	7mm	1mm increments

Corporate Office
 1160 Gahanna Parkway
 Columbus, OH 43230
 United States of America
 Tel.: 614-868-8414
 Fax: 614-863-1647
 E-mail: sales@grotecompany.com


Precision slicing & application systems
www.grotecompany.com

European Sales & Service
 Wrexham Technology Park
 Wrexham, North Wales LL137YP
 United Kingdom
 Tel.: 44 (0) 1978-362243
 Fax: 44 (0) 1978-362255
 E-mail: sales@intl.grotecompany.com